

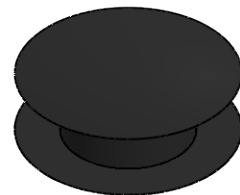
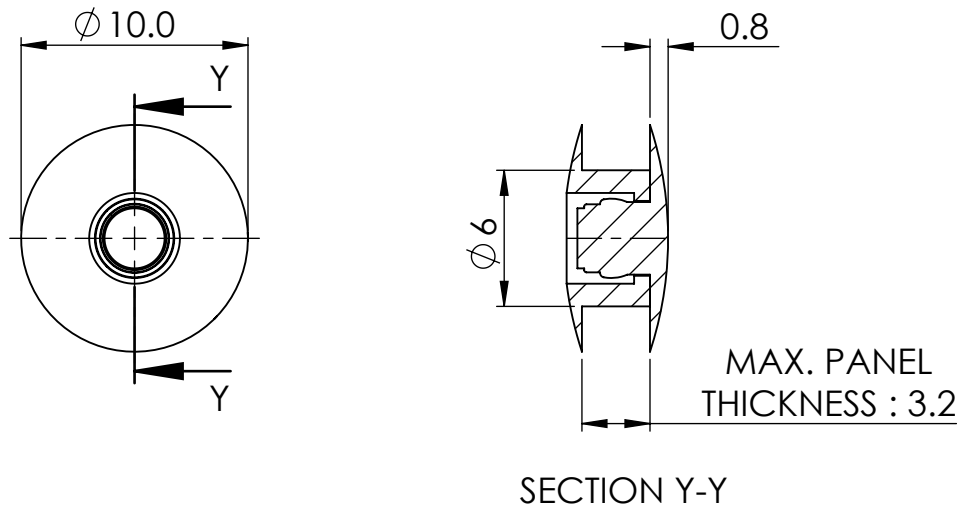
© 2013 Essentra Components. All rights reserved.
 Registered in England, Company No. 547495.
 Registered Office: Essentra plc
 Langford Locks, Kidlington, Oxford, OX5 1HX

Condition of Sale can be found on our website: essentra.com.

Essentra Components does not warrant that the files will be error free and may create new versions ("Upgrades") at any time, which may correct such errors. Essentra Components has no obligation to notify you of such upgrades. Any upgraded file will be published to the website, when it becomes available.

You are not permitted to load any of the files on to a network server for the purposes of distribution to one or more other computer(s) on that network or to effect such distribution. Essentra Components shall not be liable for any loss or damage whatsoever or however caused, arising directly or indirectly from the use of the files.

UNCONTROLLED COPY



STATUS **APPROVED DRAWING**

UNLESS OTHERWISE STATED

| | | | |
|----------------------|------|-------|---|
| ALL DIMENSIONS IN mm | | | DO NOT SCALE |
| LINEAR TOLERANCE | | | THIRD ANGLE PROJECTION |
| SIZE | (0) | (0.0) | (0.00) |
| 0-10 | ±0.5 | ±0.15 | ±0.10 |
| >10-30 | ±0.5 | ±0.20 | ±0.15 |
| >30-50 | ±0.5 | ±0.30 | ±0.20 |
| >50-100 | ±0.8 | ±0.50 | ±0.25 |
| >100-200 | ±1.5 | ±0.80 | ±0.40 |
| >200-300 | ±2.0 | ±1.20 | ±0.80 |
| >300-500 | ±3.0 | ±2.00 | ±1.00 |
| >500 | ±5.0 | ±3.00 | ±1.50 |
| | | | ANGULAR TOLERANCE ±0.5 DEGREES |
| | | | UNSPECIFIED RADII 0.25mm |
| | | | DRAFT ANGLE 0.5 DEGREES |
| | | | DIMENSIONS IN BRACKETS [] ARE IN INCHES FOR REFERENCE ONLY |

| | | | |
|---------------|--------------|-------|----------|
| CREATE DATE | 15.09.2023 | PA66 | MATERIAL |
| ITEM CODE | 10309322 | BLACK | COLOUR |
| LEGACY NUMBER | 8201030001VR | - | FINISH |

TITLE:
SNAP-TOGETHER RIVET NYLON

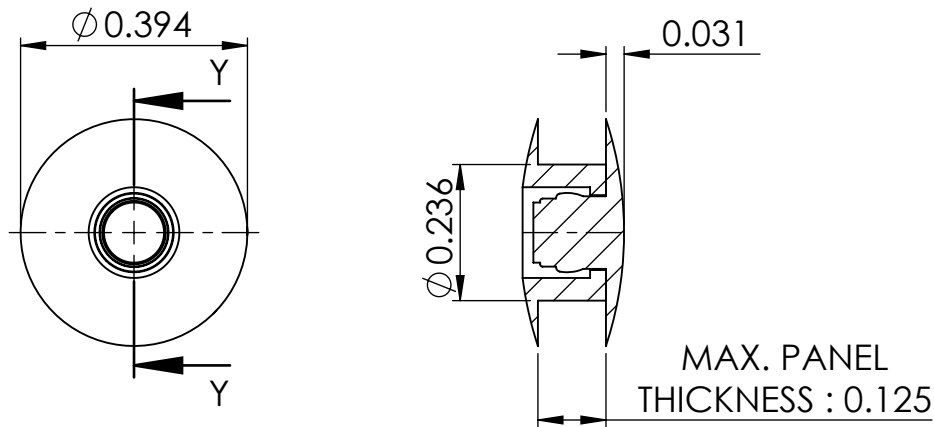
| | | | | |
|----------|----------|-------|--------|-------|
| DWG. No. | 10309322 | SCALE | SHEET | ISSUE |
| | | 3:1 | 1 of 2 | 1 |

Condition of Sale can be found on our website: essentra.com.

Essentra Components does not warrant that the files will be error free and may create new versions ("Upgrades") at any time, which may correct such errors. Essentra Components has no obligation to notify you of such upgrades. Any upgraded file will be published to the website, when it becomes available.

You are not permitted to load any of the files on to a network server for the purposes of distribution to one or more other computer(s) on that network or to effect such distribution. Essentra Components shall not be liable for any loss or damage whatsoever or however caused, arising directly or indirectly from the use of the files.

UNCONTROLLED COPY



SECTION Y-Y



STATUS

APPROVED DRAWING

UNLESS OTHERWISE STATED

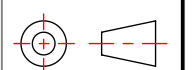
ALL DIMENSIONS IN inches

DO NOT SCALE

LINEAR TOLERANCE

| SIZE | (0.00) | (0.000) | (0.0000) |
|------------------|--------|---------|----------|
| 0 - 0.394 | ±0.020 | ±0.006 | ±0.004 |
| >0.394 - 1.181 | ±0.020 | ±0.008 | ±0.006 |
| >1.181 - 1.969 | ±0.020 | ±0.012 | ±0.008 |
| >1.969 - 3.937 | ±0.031 | ±0.020 | ±0.010 |
| >3.937 - 7.874 | ±0.059 | ±0.031 | ±0.016 |
| >7.874 - 11.811 | ±0.079 | ±0.047 | ±0.031 |
| >11.811 - 19.685 | ±0.118 | ±0.079 | ±0.039 |
| >19.685 | ±0.197 | ±0.118 | ±0.059 |

THIRD ANGLE PROJECTION



ANGULAR TOLERANCE
 ±0.5 DEGREES
 UNSPECIFIED RADII 0.010 inch
 DRAFT ANGLE 0.5 DEGREES
 DIMENSIONS IN BRACKETS []
 ARE IN INCHES FOR
 REFERENCE ONLY

| | | | |
|---------------|--------------|-------|----------|
| CREATE DATE | 15.09.2023 | PA66 | MATERIAL |
| ITEM CODE | 10309322 | BLACK | COLOUR |
| LEGACY NUMBER | 8201030001VR | - | FINISH |

TITLE:
SNAP-TOGETHER RIVET NYLON

| | | | | |
|----------|----------|-------|--------|-------|
| DWG. No. | 10309322 | SCALE | SHEET | ISSUE |
| | | 3:1 | 2 of 2 | 1 |